

**M12 male 90°/M12 female 90° shielded B-cod.Profibus**

PUR 1x2xAWG22 shielded vt UL/CSA+drag chain 10m

Male 90° – female 90°

M12, 4-pole – M12, 2-pole

B-coded

shielded

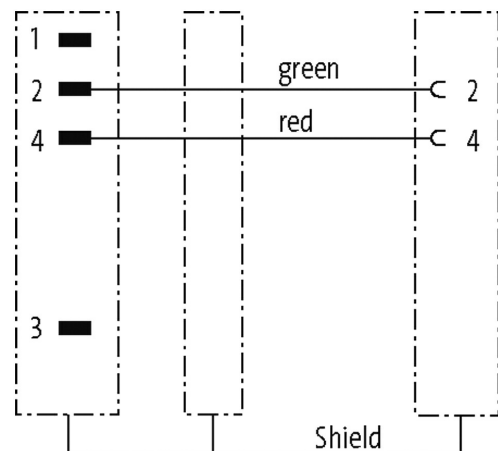
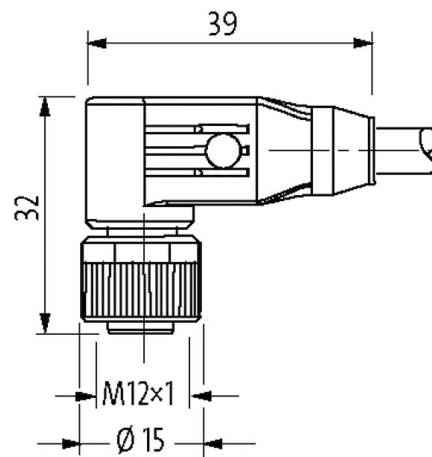
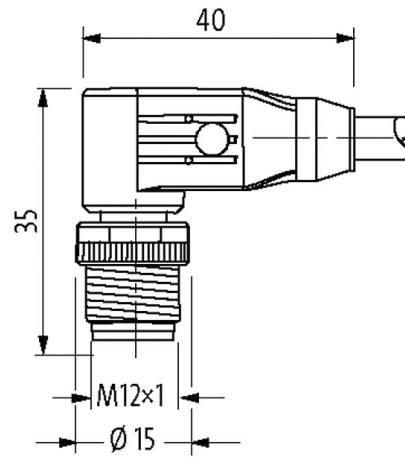
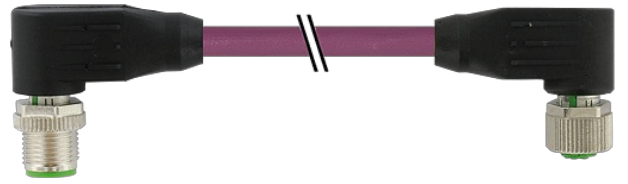
Plastic housings with good resistance against chemicals and oils.

The resistance to aggressive media should be individually tested for your application. Further details on request.

Further cable lengths on request.

**Illustration**

*stay connected*



Product may differ from Image

**Approvals**

cCSAus



\* only for products with UL/CSA approved cable

**Form**

Form 44021

**Cables**

Cable number	786
No./diameter of wires	1 × 2× AWG22
Wire isolation	PE (rd, gn)
C-track properties	2 Mio.
Jacket Color	violet
Material (jacket)	PUR (UL/CSA)
Outer Ø	8.1 mm ±5%
Bend radius (moving)	12× outer Ø
Temperature range (fixed)	-40...+80 °C
Temperature range (mobile)	-20...+60 °C
Cable identification	786
Approval (cable)	UL (AWM-Style 20233/10578), CSA; CE
Cable weight [g/m]	81,40
Material (wire)	Cu wire, bare
Resistor (core)	max. 55 Ω/km (20 °C)
Single wire Ø (core)	0.16 mm
Construction (core)	19× 0.16 mm (multi-strand wire class 5)
Diameter (core)	1 × 2× AWG22
Material (wire isolation)	PE
Wire-Ø incl. isolation	2.85 mm ±5%
Color/numbering of wires	rd, gn
Shield	yes
	min. 85%
Material (jacket)	PUR
Outer-Ø (jacket)	8.1 mm ±5%
Color (jacket)	violet
Nominal voltage	300 V
Temperature range (fixed)	-40...+80 °C
Temperature range (mobile)	-20...+60 °C
Bend radius (fixed)	6× outer Ø
Bend radius (moving)	12× outer Ø
Travel speed (C-track)	max. 3 m/s
Acceleration (C-track)	max. 3 m/s <sup>2</sup>

**Technical Data**

Operating voltage	max. 60 V AC/DC
Operating voltage (only UL listed)	30 V AC/DC
Rated surge voltage	1.5 kV
Operating current per contact	max. 4 A
No. of poles	M12, 4-pole – M12, 2-pole
Material group	IEC 60664-1, category I
Coding	B-coded
LED display	no

Locking of ports	Screw thread (M12×1 mm) recommended torque 0.6 Nm, self-securing
Compression gland	M12 (SW13)
Protection	IP65, IP66K, IP67 inserted and tightened (EN 60529)
Material	PUR
Locking material	Zinc die casting, matte nickel plated
suitable for corrugated tube (internal Ø)	without

**General data**

Standards	DIN EN 61076-2-101 (M12)
Mounting method	inserted, tightened
Material (contact)	Copper alloy
Material (contact surface)	Au
Material (gasket)	FKM
Pollution Degree	3
Temperature range	-25...+85 °C, depending on cable quality

**Commercial data**

country of origin	DE
customs tariff number	85444290
EAN	4048879701648
eClass	27260702
Packaging unit	1